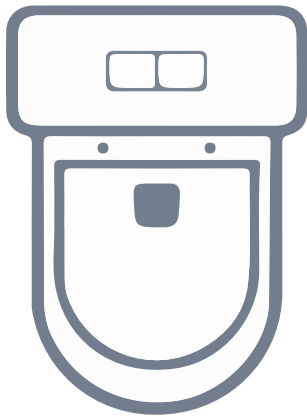
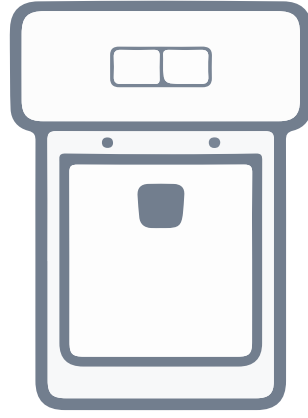


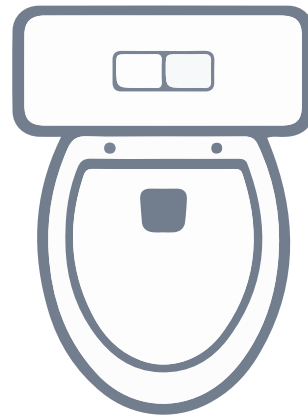
Shape



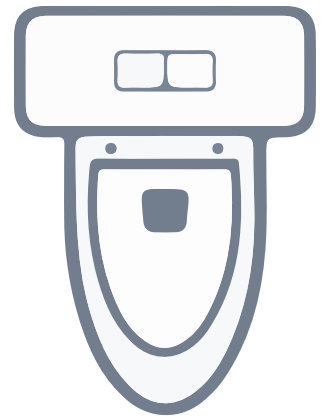
D- shaped



Square

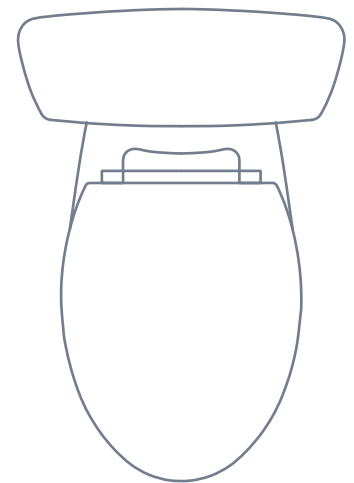
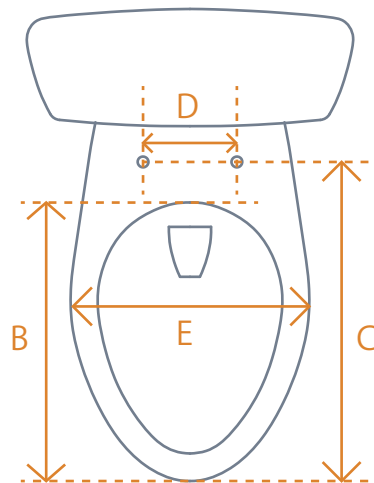
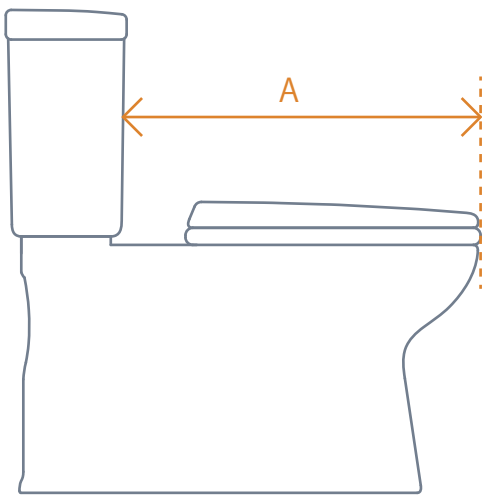


Round



Elongated

Dimension



Shape of the pan	
------------------	--

A	From front of cistern tank to front edge of toilet pan	mm
B	From the back edge of the toilet bowl to the front of the pan	mm
C	From where the toilet seat holes are to the front of the toilet pan	mm
D	The space between the seat fixings	mm
E	The width of the toilet pan	mm